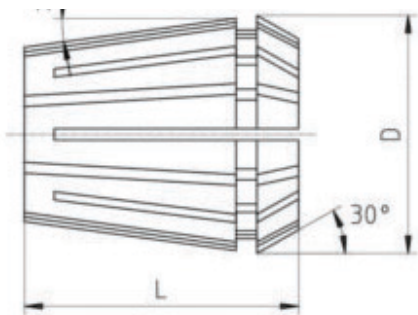


## Dead Length Collets - Double Cone

Code	A	B	L	a	Diameter max	Hex max
BD32	39.0	50.0	70.0	17°	32.0	27.0
BD42	46.0	57.0	80.0	17°	42.0	36.0
BD45	49.0	60.0	80.0	17°	45.0	38.0
BD52	60.0	70.0	80.0	16°	52.0	45.0
BD60	70.0	81.0	90.0	17°	64.0	52.0
BD70	80.0	91.0	100.0	17°	70.0	60.0
BD80	95.0	108.0	105.0	17°	80.0	68.0



## ER Range Collets

Code	Description	D	L	Diameter max	Hex max
4009E	ER11	11.5	18.0	7.0	-
426E	ER16	17.0	27.0	12.0	-
428E	ER20	21.0	31.0	15.0	-
430E	ER25	26.0	35.0	20.0	-
470E	ER32	33.0	40.0	25.0	-
472E	ER40	41.0	46.0	30.0	-