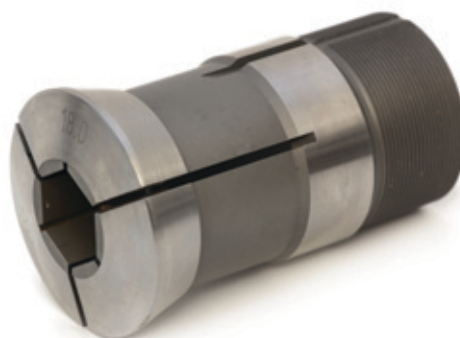
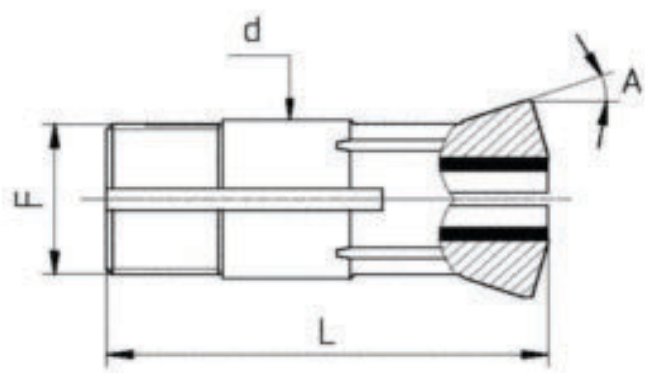


Pinze a cambio rapido tipo Hainbuch

Codice	D	L	Tondo max	Esagono max
SK32BZI	57.8	47.0	32.0	27.0
SK42BZI	79.3	47.0	42.0	36.0
SK52BZI	79.2	46.0	52.0	45.0
SK65BZI	99.65	58.0	65.0	56.0
SK80BZI	114.5	53.0	80.0	68.0



Bussole in metallo duro per fantine mobili

Codice	d	L	a	F	Tondo max	Esagono max
853T	18.0	59.0	30°	16X1	13.0	11.0
1354T	22.0	68.0	16°	19X1	16.0	14.0
39001T	22.0	68.0	16°	22X1	18.0	15.0
605T	24.0	61.0	30°	24x1	18.0	14.0
1357T	28.0	81.0	30°	25x1	21.0	18.0
223T	28.0	82.0	16°	25x1	21.0	18.0
227T	34.0	87.5	10°	34X1	25.0	22.0
229T	42.0	82.0	16°	40X1	32.0	28.0
106T	48.0	81.0	30°	48x1.25	42.0	36.0